

Comprehensive product portfolio



Treatment centers



Instruments



Laser



Hygiene



3D and Panoramic x-rays



Intraoral x-rays



Intraoral sensors



Phosphor plate scanner

FONA
CLOSER TO YOU



FONA, the most exciting new brand in dental

FONA is a fast-growing, global and dynamic brand, continuously developing its comprehensive product portfolio according to international quality standards. Ensuring excellent price/performance ratio, FONA provides a full range of valuable, reliable and user focused equipment for everyday dentistry. With manufacturing sites in three continents and local support through a rapidly expanding international sales and service team that understands your needs, FONA is truly CLOSER TO YOU.

Copyright FONA Dental, s.r.o., All rights reserved, Subject to technical changes and errors in the text, BRO007, v2, ENG, 20130510

FONA
CLOSER TO YOU

Dealer:

Headquarters:
FONA Dental s.r.o.
Ševcenkova 34 *
SK - 85101 Bratislava
Slovak Republic
info@fonadental.com
www.fonadental.com

INTRAORAL IMAGING ACCORDING TO YOUR NEEDS
Intraoral X-rays

FONA Intraoral X-rays

INTRAORAL IMAGING ACCORDING TO YOUR NEEDS

FONA intraoral X-ray devices are designed for ease of use, precision and reliability. They deliver high image quality even in the most demanding working conditions. Select the model that best suits your dental studio and working methods, you'll find no compromises on comfort and image quality.



FONA XDC

ADVANCED TECHNOLOGY

State of the art DC technology and comprehensive program settings give you the highest intraoral imaging standards.



FONA X70

PROVEN RELIABILITY

Thousands of units installed worldwide provide intraoral imaging every day.

EXCELLENT IMAGE QUALITY

Finest focal spot of 0.4 for excellent image quality.



FONA XDG

FONA XDC



Precise setting for all exposures

Obtain the most appropriate exposure setting by selecting from 2 patient sizes, 9 tooth types and 3 detectors.



Excellent image quality

Finest focal spot of 0.4, DC technology and a wide range of preset exposure settings ensure excellent image quality.



The contrast you prefer

Get the image contrast you are looking for with the adjustable tube voltage of 60 or 70 kV.



Integration flexibility

Available as a mobile or wall-mounted unit with four different extension arm lengths for flexible integration.



Ergonomic positioning

Stable, easy to adjust arm ensures accurate and reliable positioning every time.



Perfectly compatible

FONA XDC used together with ScaNeo, CDR and CDRelite are a perfectly compatible solution to guarantee excellent image quality.

FONA XDC is the perfect choice for demanding professionals.

This state of the art DC device with its modern design will fit perfectly into your dental studio and has the flexibility to give you excellent image quality in all your clinical cases.

ADVANCED DC TECHNOLOGY

State of the art DC technology means excellent image quality and all the detail you need for your diagnosis.

INTEGRATION FLEXIBILITY

Different configuration possibilities for comfortable and reliable positioning.

PRECISE SETTINGS FOR ALL EXPOSURES

Automatic exposure setting in just three steps.





FONA XDG is the choice of dentists worldwide, and has already proven its ease of use, precision and reliability.

It delivers high image quality even in the most demanding working conditions, both with high resolution receptors and finest grain films.



Excellent image quality
The best focal spot of 0.4 guarantees sharp images with optimal detail perception.



Automatic exposure setting
Select tooth type, patient size and receptor - mAs are automatically set ensuring accurate radiation dose.



Ergonomic positioning
The light, solid and stable folding arm assures smooth movement and reliable positioning.



Remote solution
The remotely mounted timer and hand switch allow you to control the exposure from outside the X-ray room.

FONA X70

Designed for ease of use, stable image quality and a long lifespan, FONA X70 is the ideal economic solution for your dental studio.

Its automatic correction for mains voltage fluctuations, full protection against tube over-heating with accurate cool-down procedure, and improved safety features will make FONA X70 your reliable imaging companion for years to come.



Stable image quality

A penetration power of 70 kV and microprocessor controlled timer guarantee good image contrast and consistent film blackening.



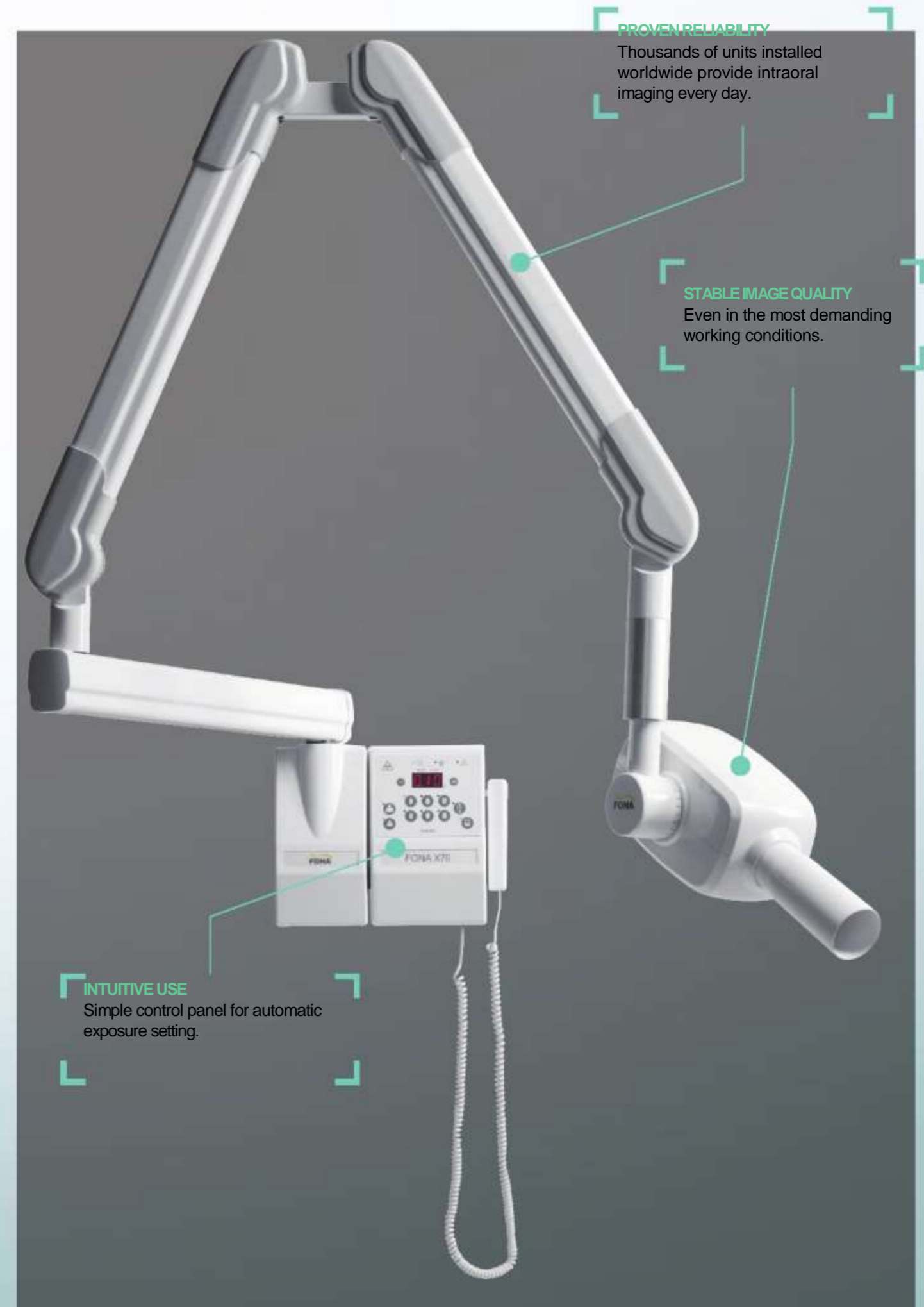
Intuitive use

Automatic setting of exposure times from 60 ms to 3.2 s, according to the tooth type and patient size selected.



Proven reliability

Protection against tube overheating gives the unit a long life, making your investment a secure one.



PROVEN RELIABILITY

Thousands of units installed worldwide provide intraoral imaging every day.

STABLE IMAGE QUALITY

Even in the most demanding working conditions.

INTUITIVE USE

Simple control panel for automatic exposure setting.



4 different extension arms

Choose from 4 different extension arm lengths to make your intraoral unit perfectly fit into your dental studio. You can select standard 30 cm, 60 cm or 80 cm and optional 100 cm arm.



Rectangular collimator

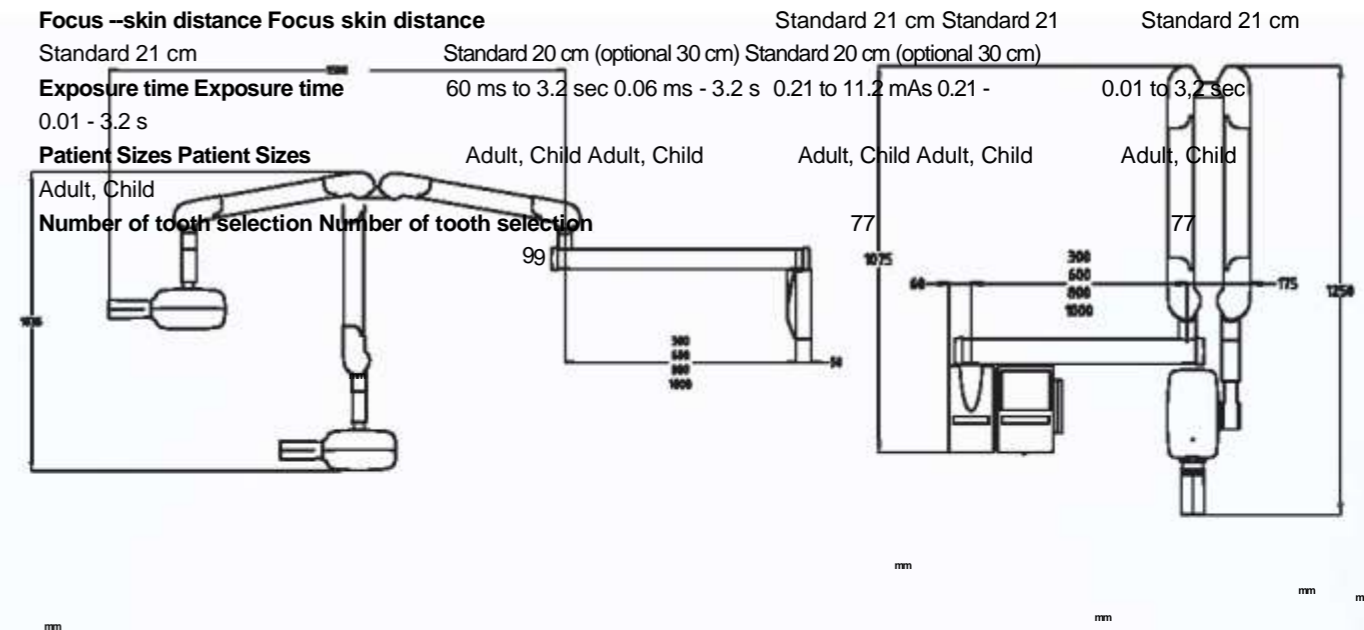
FONA's rectangular beam limiting device permits significant dose reduction.



Mobile version

The mobile version is the ideal choice for dental studios looking for maximum operational flexibility.

| | FONA X70 | FONA X70 FONA XDC | FONA XDG FONA XDG | FONA XDC |
|-----------------------------------|--------------------------|-----------------------------------|---------------------------------|--------------------------|
| Generator | Alternating Current (AC) | Alternating Current (AC) | Alternating Current (AC) | Alternating Current (AC) |
| Focal spot | 0.8 (IEC 336/1997) | 0.8 (IEC 336/1997) | 0.8 (IEC 336/1997) | 0.4 (IEC 336/1997) |
| Tube voltage, tube current | 60 kVp, 3.5 mA | 60 kV or 70 kV (selectable), 7 mA | 70 kVp, 7 mA | 70 kVp, 3.5 mA |
| Line voltage | 120/230 V, 50/60 Hz | 120/230 V, 50/60 Hz | 100/230V, 50/60 Hz | 120/230 V, 50/60 Hz |
| Focus -skin distance | Standard 21 cm | Standard 20 cm (optional 30 cm) | Standard 20 cm (optional 30 cm) | Standard 21 cm |
| Exposure time | 0.01 - 3.2 s | 60 ms to 3.2 sec | 0.06 ms - 3.2 s | 0.01 to 3.2 sec |
| Patient Sizes | Adult, Child | Adult, Child | Adult, Child | Adult, Child |
| Number of tooth selection | 99 | 99 | 99 | 77 |



Wall mounted version available in four different extension arm lengths: 30cm, 60cm, 80cm, 100cm

Mobile version



Collimator length

20/21 cm standard or 30 cm optional collimator available.

Remote hand switch

With a cable length of 10 m, the remote hand switch is easy to mount where needed.